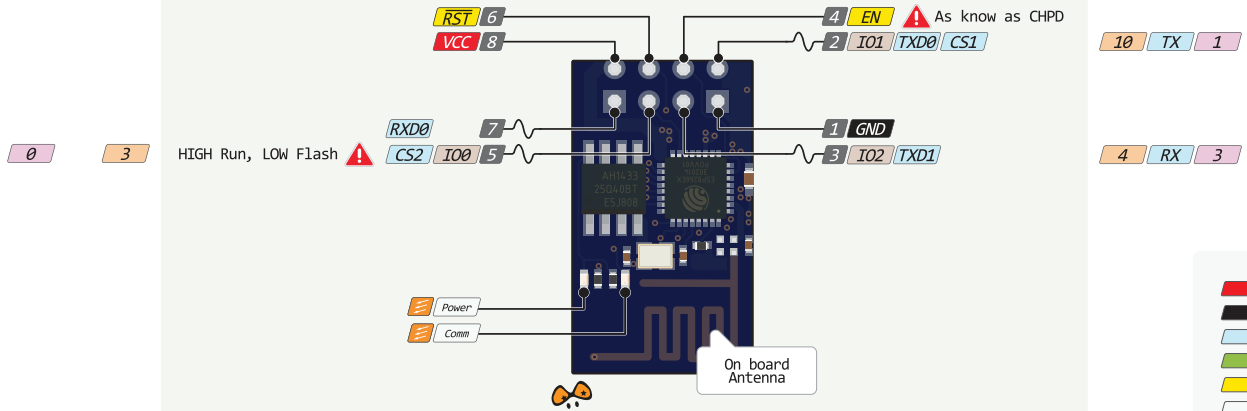


# ESP8266 PINOUT

⊘ All ESP8266 in/outs are NOT 5V tolerant!

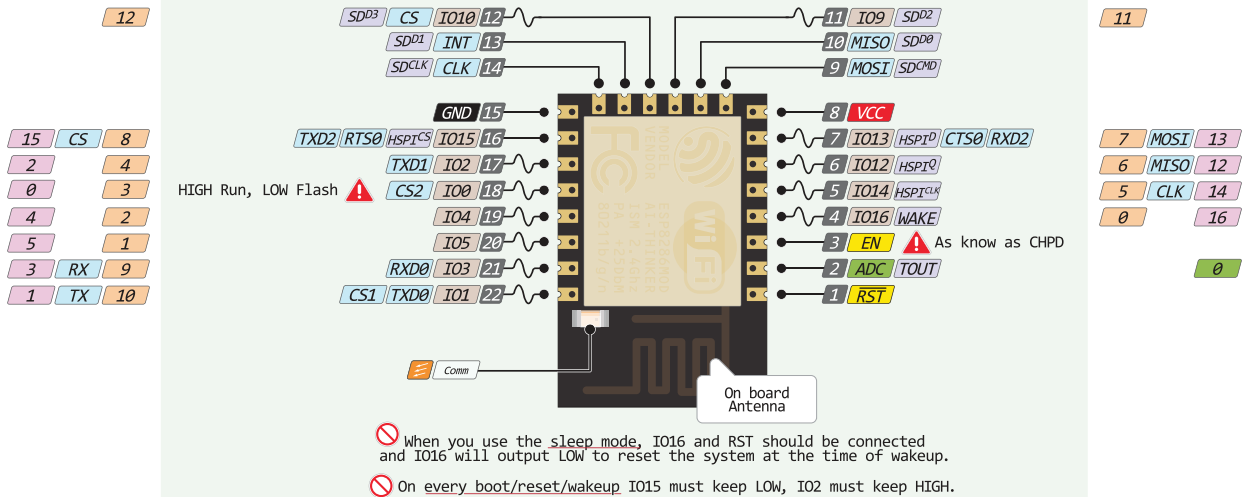
## ESP-01

⚠ Absolute MAX per pin 12mA recommended 6mA



## ESP-12

⚠ Absolute MAX per pin 12mA recommended 6mA



## ESP-03

⚠ Absolute MAX per pin 12mA recommended 6mA

